

Sacktip® Enclosed: manual bag dump station

Dust containment



4 standard models:
SE 800 - SE 1000 - SE 1200 - SE 1400

Rate: 2 sacks/min.
Objectives: ergonomics and containment for toxic materials

OBJECTIVES

- . Emptying of toxic or hazardous materials
- . Perfect ergonomics
- . Healthy work environment
- . Advanced dust containment
- . Operators protection from harmful dust

MANUFACTURING

Structure and parts in contact with the material: mild steel, 304L stainless steel, 316L stainless steel
Access door: plexiglass, antistatic lexan, tempered laminated glass
Sealing: EPDM, NBR, natural rubber
Finishes: customized RAL, peening, electropolishing



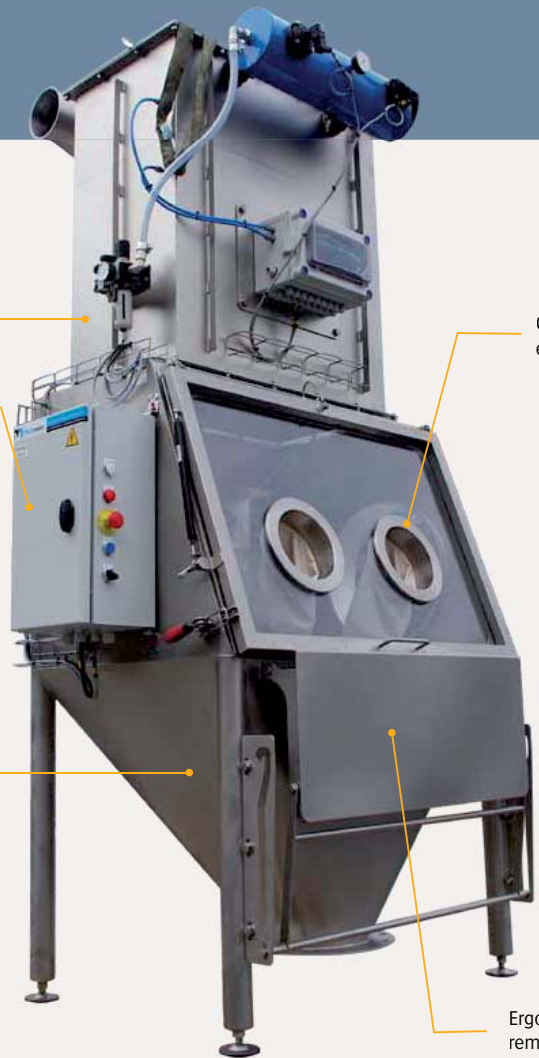
Dust collector (option)

Control cabinet

Glove box enclosure

Hopper

Ergonomic removable table



➤ **Glove box** for handling material in a closed and contained area: glass and gloves



➤ **Support** for secured opening tool with support cable



➤ **Mirror-polished finishes** to improve material flow and hygiene. Particularly suitable to the pharmaceutical industry



➤ **Side discharge chute for the bag** to maintain a clean working area and to eject the "dirty" emptied sack in a contained area

Advantages



STANDARD MODELS

4 Models	Ref :	SE 800	SE 1000	SE 1200	SE 1400
Length of the sack (mm)		650	850	1050	1250
Flow required for dedusting nozzle (m ³ /hr.)		400	500	600	700
Volume* of the hopper (L) <small>*volume of water</small>		180	225	265	300
Unloading diameter (DN)		250			
Height from ground from the drain flange (mm)		285			

* The volume of the hopper is defined according to the need of the process.

ALTERNATIVES

The introduction of sacks can be conducted by a system of sealed lock chamber (alternatives: belt conveyor, roller conveyor ...)



Lump breaker



Drum unloading

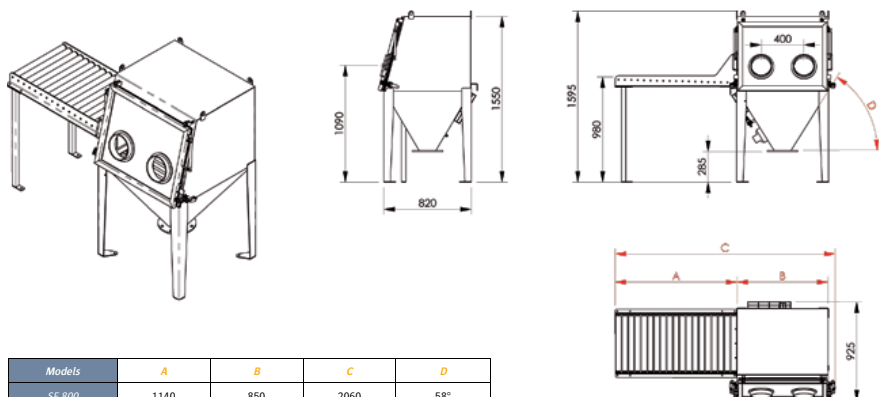
Sacktip® Enclosed: manual bag dump station Dust containment



Sacktip® Enclosed

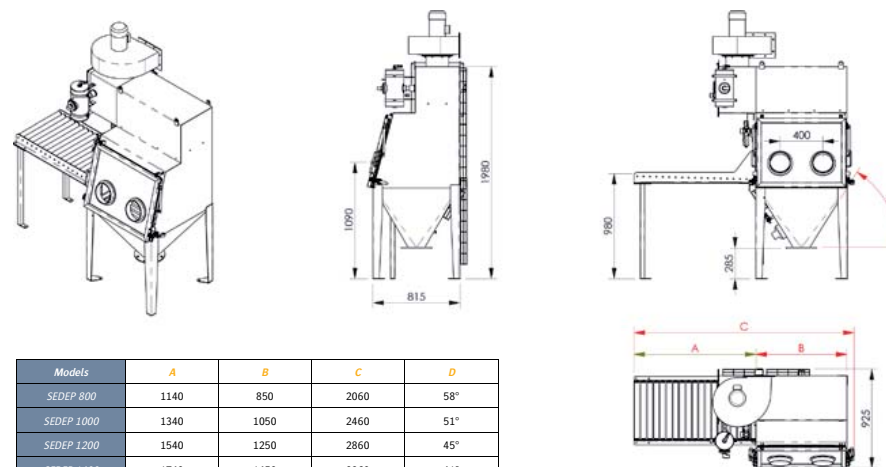
4 standard models:
SE 800 - SE 1000 - SE 1200 - SE 1400

▶ CONFINED MANUAL BAG DUMP STATION



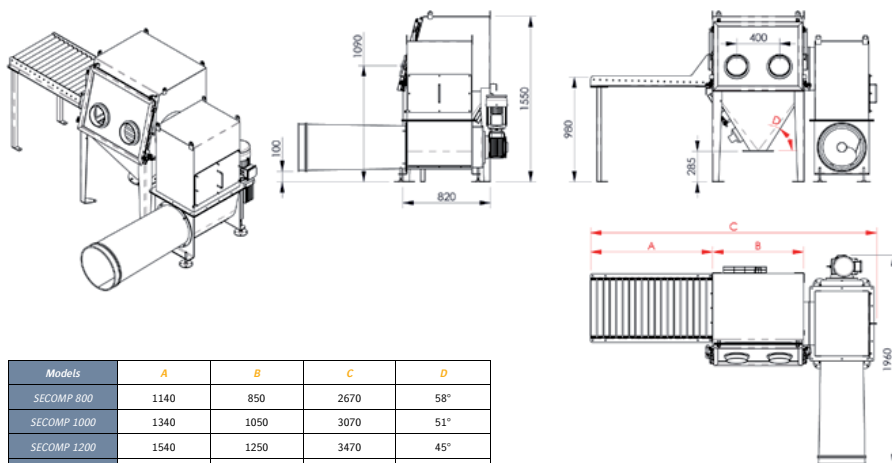
Models	A	B	C	D
SE 800	1140	850	2060	58°
SE 1000	1340	1050	2460	51°
SE 1200	1540	1250	2860	45°
SE 1400	1740	1450	3260	41°

▶ OPTION: DUST COLLECTOR



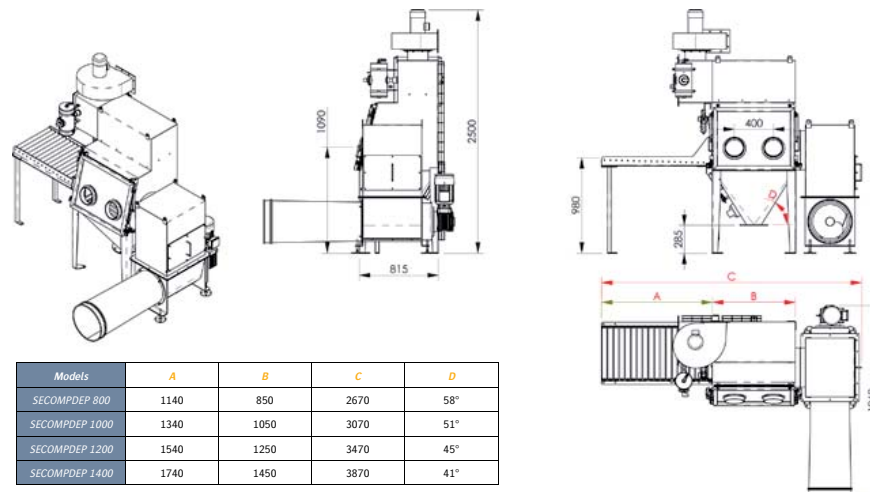
Models	A	B	C	D
SEDEP 800	1140	850	2060	58°
SEDEP 1000	1340	1050	2460	51°
SEDEP 1200	1540	1250	2860	45°
SEDEP 1400	1740	1450	3260	41°

▶ OPTION: COMPACTOR



Models	A	B	C	D
SECOMP 800	1140	850	2670	58°
SECOMP 1000	1340	1050	3070	51°
SECOMP 1200	1540	1250	3470	45°
SECOMP 1400	1740	1450	3870	41°

▶ OPTIONS: COMPACTOR AND DUST COLLECTOR



Models	A	B	C	D
SECOMPDEP 800	1140	850	2670	58°
SECOMPDEP 1000	1340	1050	3070	51°
SECOMPDEP 1200	1540	1250	3470	45°
SECOMPDEP 1400	1740	1450	3870	41°